



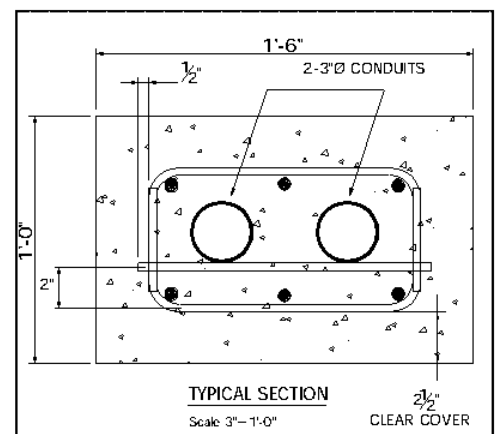
STELCRETE INDUSTRIES LIMITED

Product Info Sheet

Duct Bank Reinforcing

Categories: Utilities

Easy to use
Accurately built
Economical
On time delivery
Ready to place
Reduce site storage requirements



*Quality
Service
Value*

STELCRETE INDUSTRIES

90 Centre Street
P.O. Box 96
Welland, Ontario
L3B 5P2

Phone: 905-735-9993
Fax: 905-735-3955
Email: info@stelcrete.com

Copyright StelCrete November 2004

Duct Bank Reinforcing

StelCrete offers pre-assembled steel cages to reinforce Underground electrical duct banks. The cages are accurately produced, securely welded and meet all industry standards. Section are supplied in lengths that are easy to handle. The lower cage assembly comes complete with duct positioning cross bars to ensure full encasement with the concrete. Installation is simple. Place the lower half, place the electrical ducts, place and wire in the top half, and pour the concrete.

